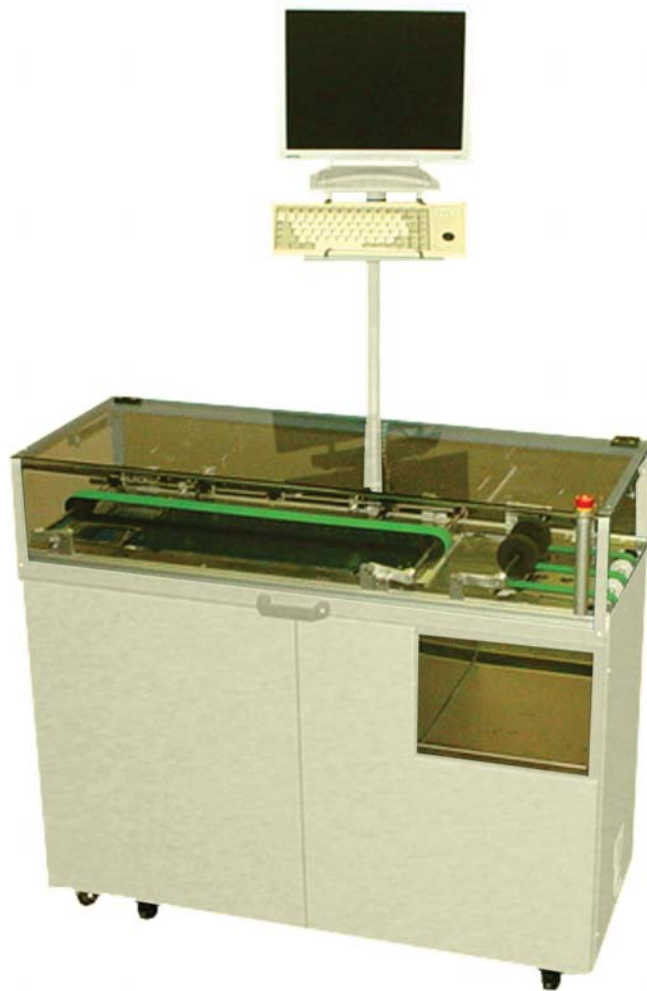




Media Processing Solutions

Verification Divert Unit



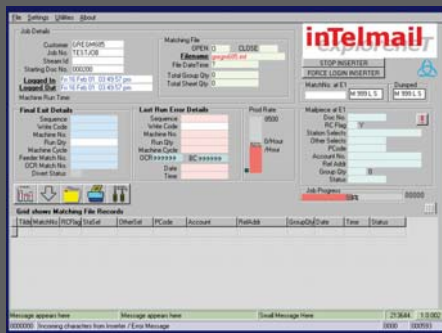
im connect

VDUi

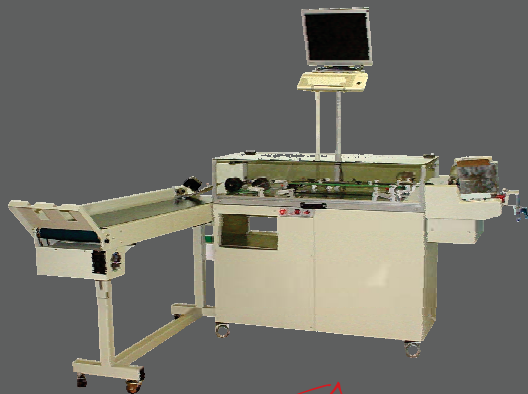
VDUi

VDUi - Verification Divert Unit

This is the most advanced application and offers an individual roll-up module that may be used with any mailing system output, ensuring each document exiting the VDUi is correctly read and verified with a Mail Verification File (MVF). The MVF is automatically updated with the date and time the document exited the individual machine. Any document that cannot be read or is out of sequence is diverted and the divert is recorded on the MVF.



The IMConnect Document Verification and Data Capture Systems were developed in conjunction with the IMConnect File Based, Integrity Management mail processing system. Like all IMConnect software the Document Verification and Data Capture Systems reside on the single operating software platform. This ensures no third party add-ons or problems with communications.



Document Verification and Data Capture Systems

IMConnect Document Verification and Data Capture Systems are **designed to provide integrity** to any mailing application or process.

IMConnect Document Verification and Data Capture Systems are used with any printed document that has a unique document number. The System **reads** the document, **captures** the information contained in the document number and **stores** that information in a computer generated file. From this process comes the ability to enhance the integrity of a mailing or finishing job with **verification** that each document has proceeded through the mailing or finishing process.

Product Information

The IM Connect Document Verification and Data Capture Systems were developed in conjunction with the IM Connect File Based, Integrity Management mail processing system. Like all IM Connect software the Document Verification and Data Capture Systems reside on the single operating software platform. This ensures no third party add-ons or problems with communications.

The Document Verification and Data Capture Systems read the printed document, compare the data captured to the Mail Verification File (MVF), store processing data and report on the integrity of documents as they are processed. Reading of the MVF can be in ascending or descending order, as well as randomly.

All IMConnect integrity and verification systems are totally compatible. Each product application can be used in conjunction with any other, offering the customer exactly the level of Document Verification or Data Capture required for each individual mail processing machine or system.

All IMConnect integrity systems, including Document Verification and Data Capture Systems are packaged in a "network ready" configuration - simply plug into the network and the systems are ready for file transferring, real time status viewing and job reporting.

Applications and Functions

Reading

The IM Connect Document Verification and Data Capture Systems rely on a document number to be read by a special camera. The document number can be human readable, a 2D barcode or printed in special invisible ink technology on each document. The reading can take place in any suitable location on the mail-processing or other finishing system.

Data Verification

Prior to the job being processed a Mail Verification File (Matching File) is prepared for the run. The MVF is transferred to each mail processing system at the time of starting the job. As each document passes the reader information is sent to the MVF to update the file.

Store

The MVF updated Data File is automatically stored in an output file ready for uploading and report generation. The unique Job Numbering system used in all IMConnect integrity applications ensures that no job files can be accidentally duplicated.

Divert

The use of a Divert Hopper or Bin is an essential part of the VDUi and RVDS Systems. The Diverter allows suspect documents to be automatically diverted for later inspection, without stopping job processing.

Real Time File Update

All IMConnect Software applications operate in Real Time. As each document is read the information from the reader is sent to the MVF. The MVF file is automatically updated with the date and time the document was read and verified.

Output Data

On all IMConnect Document Verification and Data Capture Systems the output data can be obtained from a Stored Data Directory File and used for document tracking and job reporting.

Last Minute Changes

The VDUi and RVDS Systems have Last Minute Changes capability. This allows last minute changes to be made to the MVF, even during the run. Possible changes include diverting a specific document or stopping the mail-processing machine when an individual document arrives.

Real Time Job Stats

Real Time job statistical information is available on the network, allowing the status of the individual job to be viewed as the documents are read and stored.

Sequence Checking

As each document is read and verified the processing sequence is noted and should any out of sequence event occur, the system records the event and will, optionally, divert or stop the mail processing machine.

Ascending or Descending Sequence

IMConnect software systems can function in an ascending, descending or random lookup mode, depending on the specific application being processed.

Manual Update

In all IMConnect Document Verification and Data Capture Systems the Mail Verification File can be manually updated from the keyboard. Diverted documents that are found to be correct are then placed in the output mail for delivery. For reconciliation purposes, there is a local ability to change document status, from bad to good or good to bad.

Automated Update

The Automated Update feature allows changes to be made from bad to good or good to bad, by simply scanning the document code number and clicking update.

Hand Held Scanner

An optional hand held barcode scanner is available for easily updating the MVF avoiding the possibility of keyboard errors during the update operation.

Network

All IM Connect Document Verification and Data Capture Systems are supplied Network Ready for Real Time operation. Unlimited systems can be connected to the network (in groups of up to 20 systems), with speed dependent on the individual customer LAN.

Data Recovery

In the VDUi and RVDS Systems, all data is automatically backed-up as the job is processed. If power loss or hardware failure occurs the data is easily recovered and no data is lost.

Password Protection

Both the VDUi and RVDS Systems have Password Protection to ensure the pre-set parameters of the job being processed cannot be tampered with, before or during the run.

Barcode

The specific document sequence number can be printed in a Barcode convention and read by a standard Barcode Reader.

Optical Character Recognition

The specific document sequence number can be printed as a human readable number, 2D Barcode, or using special invisible ink, and then read by a standard OCR reader.

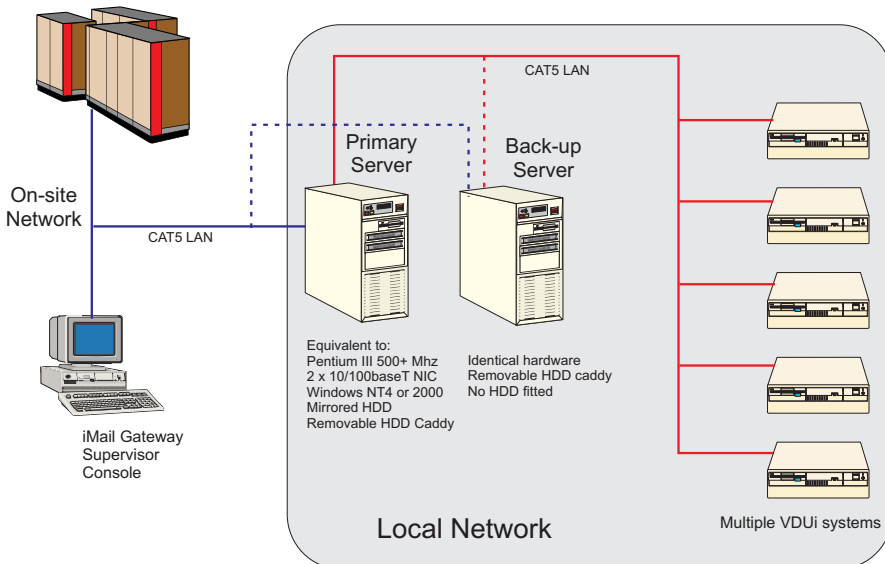
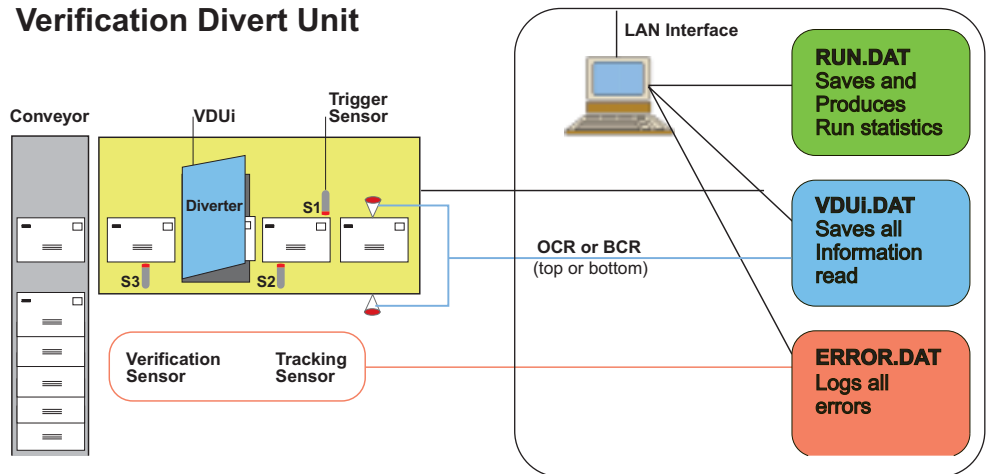
Stop Output

Depending on the application, the IMConnect Document Verification and Data Capture Systems can provide a stop signal to the mail processing system.

Audio Alert

Depending on the application the IMConnect Document Verification and Data Capture Systems can provide an audio signal, to the operator.

Verification Divert Unit



Individual mailing systems can be operated independently of the network

Jobs can continue to be processed, regardless of the network status

Automatic updating of current status when network is re-established

Mail Verification and Data Capture Systems - Comparison of Functions

FUNCTIONS	RS Read and Store	RVS Read Verify Store	RVDS Read Verify Divert Store	VDUi Verification Divert Unit
Read	4	4	4	4
Date Verification	8	4	4	4
Real Time File Update	8	4	4	4
Store	4	4	4	4
Diverter	8	8	k	4
Data Recovery	8	8	4	4
Output Data	4	4	4	4
Last Minute Changes	8	8	4	4
Real Time Job Status	8	8	4	4
Sequence Checking	8	4	4	4
Ascending/Descending Sequence	4	4	4	4
Manual Update	4	4	4	4
Automatic Update	8	8	4	4
Hand Held BCR Scanner	8	8	4	4
Network Ready - Unlimited systems	4	4	4	4
BCR Operation	4	4	4	4
OCR Operation	4	4	4	4
Stop Output	4	4	4	4
Audio Alert	8	8	4	4
Password Protection	8	8	4	4

4 - Standard

8 - Optional

k - a s fitted to the Mail Processing or Optional IM Connect Diverter

IMConnect Document Verification and Data Capture Systems have four System options, offering the best choice for the equipment and application. Each System is built upon the prior level, allowing maximum flexibility. Additional System features can be added at any time without major programming changes.

RS System **Read and Store**

Read and Store offers a lower level of Data Capture and does not require Mail Verification File for operation. The RS System provides for reading and storing document numbers only, and is not used for Verification applications.

RVS System **Read, Verify and Store**

This Data Capture Integrity System uses a Mail Verification File (MVF) and each document successfully processed updates the MVF with the date and time of processing. An IM Connect Diverter is not offered with the RVS System and any misread or sequence error can trigger a Stop signal for the mail-processing system.

RVDS System **Read, Verify, Divert and Store**

All the features and advantages offered by the mobile VDUi are available with the RVDS System. This System is not designed as a roll-up module and is fixed to the individual mail processing machine, updating a Mail Verification File in the same way as the VDUi. Suspect documents can be diverted

into the machine's inbuilt diverter, or an optional IM Connect Diverter can be added to the mail-processing machine as required.

VDUi **Verification Divert Unit -** **Read, Verify, Divert and Store**

This is the most advanced application and offers an individual roll-up module that may be used with any mailing system output, ensuring each document exiting the VDUi is correctly read and verified with a Mail Verification File (MVF). The MVF is automatically updated with the date and time the document exited the individual machine. Any document that cannot be read or is out of sequence is diverted and the divert is recorded on the MVF.



Visit our
website
or contact
us directly

IM Connect Pty. Ltd.
16/B Mars Road
Lane Cove, NSW 2066
Tel +61 2 9427 6700
Fax +61 2 9418 7798

www.imconnect.com.au
systems@imconnect.com.au

Patented PL.VDUi.2002